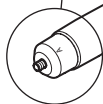
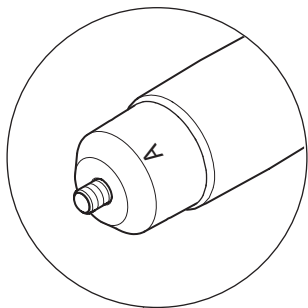
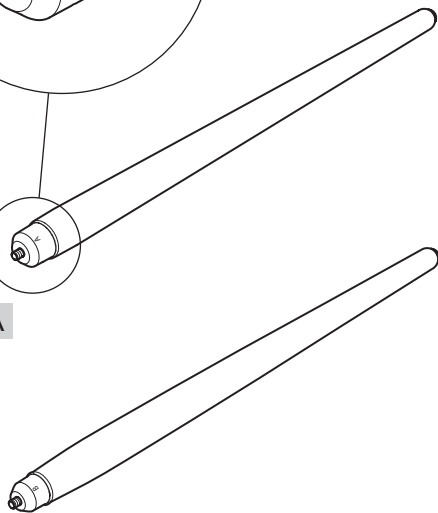


Supplementary Legs 2107
BeoPlay A9

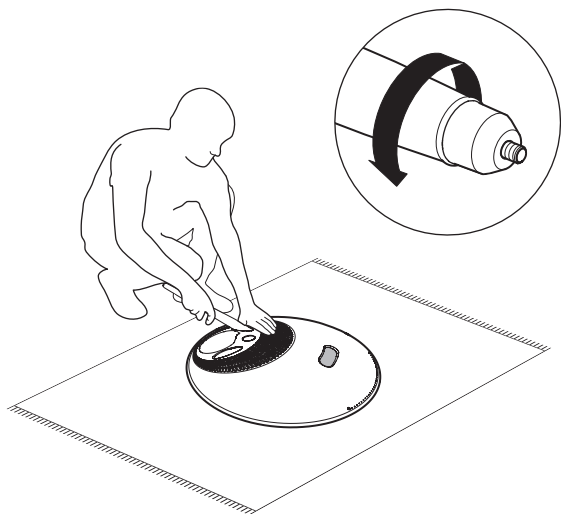
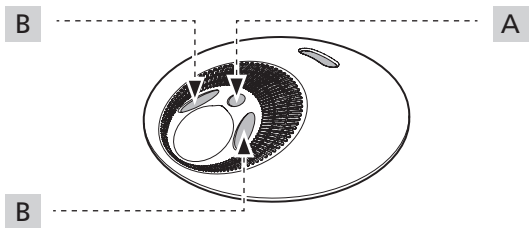




1 x **A**



2 x **B**





3511167120900008